

PLEASE CHECK WWW.MOLEX.COM FOR LATEST PART INFORMATION

Part Number: [5011903027](#)
Status: **Active**
Overview: [picoclasp](#)
Description: 1.00mm (.039") Pitch Pico-Clasp™ Wire-to-Board PCB Header, Dual Row, Vertical, 30 Circuits, Lead-free, without Pick-and-Place Tape

Documents:

[3D Model](#) [Product Specification PS-501190-001 \(PDF\)](#)
[Drawing \(PDF\)](#) [RoHS Certificate of Compliance \(PDF\)](#)

General

Product Family	PCB Headers
Series	501190
Application	Wire-to-Board
Comments	without Pick-and-Place Tape
Overview	picoclasp
Product Name	Pico-Clasp™

Physical

Breakaway	No
Circuits (Loaded)	30
Color - Resin	Natural
Durability (mating cycles max)	30
Glow-Wire Compliant	No
Lock to Mating Part	Yes
Material - Metal	Phosphor Bronze
Material - Plating Mating	Gold
Material - Plating Termination	Gold
Material - Resin	Nylon
Number of Rows	2
Orientation	Vertical
PCB Locator	No
PCB Retention	Yes
Packaging Type	Embossed Tape on Reel
Pitch - Mating Interface (in)	0.039 In
Pitch - Mating Interface (mm)	1.00 mm
Polarized to Mating Part	Yes
Polarized to PCB	Yes
Robotic Placement	Vacuum Pick-Up Tape
Stackable	No
Temperature Range - Operating	-40°C to +85°C
Termination Interface: Style	Surface Mount

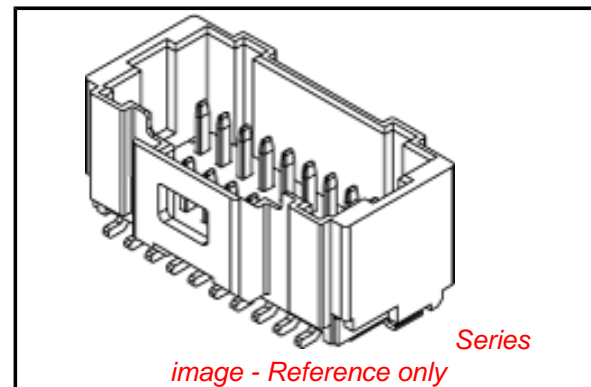
Electrical

Current - Maximum per Contact	1A
Voltage - Maximum	50V

Material Info

Reference - Drawing Numbers

Packaging Specification	SPK-501190-001
Product Specification	PS-501190-001, RPS-501190-001, RPS-501190-008, RPS-501190-010, RPS-501331-001
Sales Drawing	SD-501190-003, SD-501190-004



EU RoHS

**ELV and RoHS
Compliant**
REACH SVHC
 Not Reviewed
**Halogen-Free
Status**

China RoHS



Not Reviewed
**Need more information on product
environmental compliance?**

Email productcompliance@molex.com
 For a multiple part number RoHS Certificate of Compliance, [click here](#)

Please visit the [Contact Us](#) section for any non-product compliance questions.

Search Parts in this Series

[501190Series](#)

Mates With

[501189](#) Pico-Clasp™ Wire-to-Board Female Housing

This document was generated on 05/26/2010

PLEASE CHECK WWW.MOLEX.COM FOR LATEST PART INFORMATION

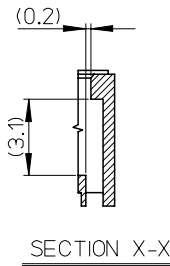
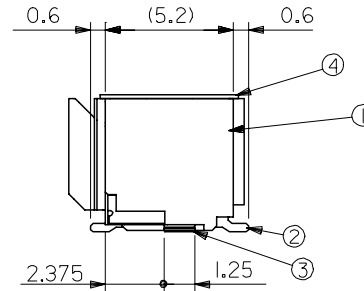
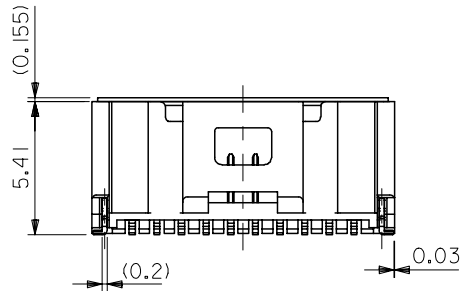
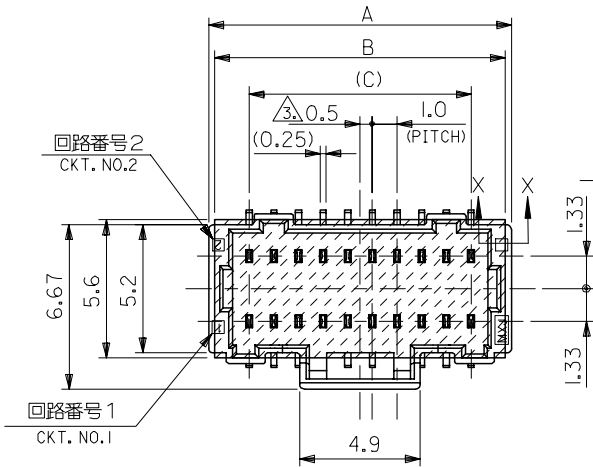
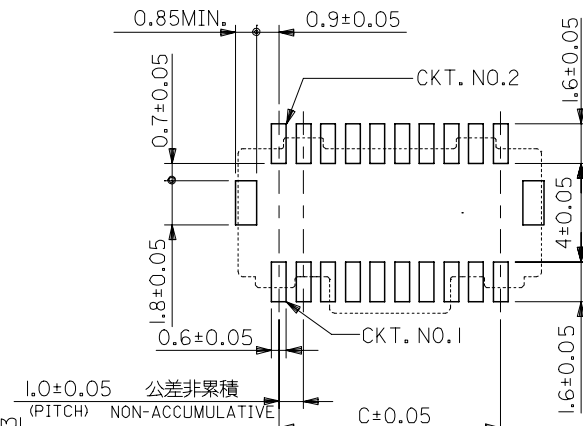
番号 #NO.	部品 PART	材質 MATERIAL
①	ウエハー WAFER	6Tナイロン UL94V-0 色:自然色 6T NYLON, UL94V-0, COLOR:NATURAL
②	ソルダーピン SOLDER PIN	りん青銅 PHOSPHOR BRONZE 金メッキ:0.1μmMIN. GOLD ニッケルメッキ(下地):1.0μmMIN. NICKEL(UNDER PLATING)
③	ネイル NAIL	りん青銅 PHOSPHOR BRONZE 錫メッキ:1.0μmMIN. TIN ニッケルメッキ(下地):1.0μmMIN. NICKEL(UNDER PLATING)
④	カバーテープ COVER TAPE	ポリイミドテープ POLYIMIDE TAPE

NOTES.

- 嵌合相手: 501189-****
MATE WITH: 501189-****
- ソルダーピン及びネイル平坦度は、0.1MAX.
SOLDER PIN AND NAIL COPLANARITY TO BE 0.1MAX.
- 極数/2=偶数に適用
APPLY FOR CKT SIZE/2=EVEN

無 NO	24	26.8	27.3	501190-5029	50
	19		22.3	501190-4029	40
	14		17.3	501190-3029	30
	9		12.3	501190-2029	20
有 YES	24	26.8	27.3	501190-5019	50
	19	21.8	22.3	501190-4019	40
	14	16.8	17.3	501190-3019	30
9	11.8	12.3	501190-2019	20	
カバーテープの有無 COVER TAPE	C	B	A	MATERIAL NO.	CKT

参考パターンレイアウト
RECOMMENDED PATTERN DIM. (REF.)



REVISED EC NO: J2005-2879 DRAWN: NYOSHI DA 2005/03/29 CHKD: MYAGI 2005/03/29 APPR: ANODA 2005/03/30	GENERAL TOLERANCES (UNLESS SPECIFIED)		DIMENSION STYLE MM ONLY		SCALE 5:1	DESIGN UNITS METRIC	THIRD ANGLE PROJECTION	
	10 UNDER	±0.2	DRAWN BY NYOSHI DA	DATE 2004/12/17	TITLE 1.0 WIRE TO BOARD CONN. WAFER ASS'Y (2-ROW S/T) -LEAD FREE-			
	10 OVER 30 UNDER	±0.25	CHECKED BY MYAGI	DATE 2004/12/17				
	30 OVER	±0.3	APPROVED BY ANODA	DATE 2004/12/17	MOLEX INCORPORATED			
ANGULAR ±3 °		MATERIAL NO. SEE CHART		DOCUMENT NO. SD-501190-003				
DRAFT WHERE APPLICABLE MUST REMAIN WITHIN DIMENSIONS		THIS DRAWING CONTAINS INFORMATION THAT IS PROPRIETARY TO MOLEX INCORPORATED AND SHOULD NOT BE USED WITHOUT WRITTEN PERMISSION						

F

E

D

C

B

A

F

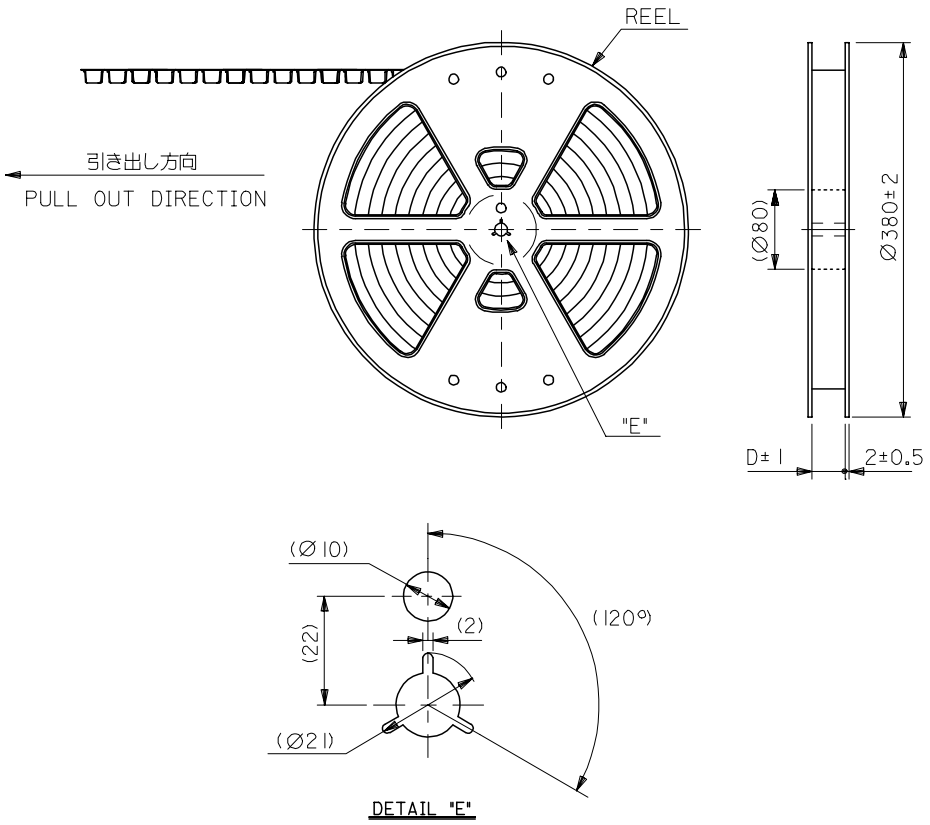
E

D

C

B

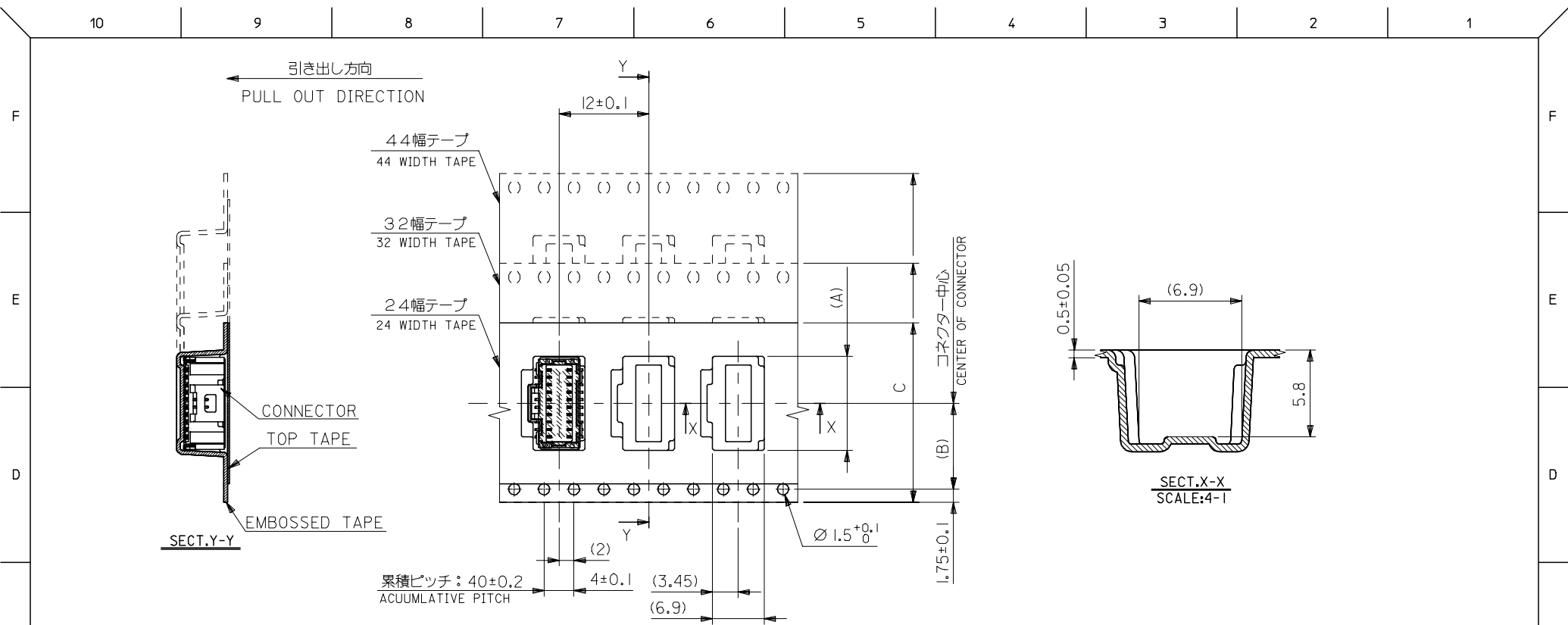
A



NOTES

- 製品詳細寸法については SD-501190-003 を参照ください。
RE DETAILED DIMENSION, SEE SD-501190-003
- 梱包数量：1100個/リール
NUMBER OF CONNECTORS：1100PIECES/REEL
- リードテープ長さ
LEAD TAPE LENGTH
- トップテープの剥離強度：0.1～1.3N(10.2～132.5gf) (剥離方向は下図参照)
PEELING OFF FORCE OF TOP TAPE (PEELING DIRECTION AS SHOWN IN FOLLOWING FIGURE)
尚、本規格値は、出荷時に適用。(但し、輸送時に剥離が発生しないこと)
THIS REQUIREMENT SHOULD BE APPLIED AT SHIPMENT. PEEL OFF SHOULD NOT BE ALLOWED, DURING TRANSPORTATION.
- 材料
MATERIAL
キャリアテープ：ポリプロピレン
CARRIER TAPE:POLYPROPYLENE
トップテープ：PET, PE, REF
TOP TAPE
リール：ポリスチレン (リサイクル材を含む)
REEL : POLYSTYRENE (RECYCLE MATERIAL CONTAINED)

REVISED EC NO: J2005-2879 DRAWN: NYOSHIDA 2005/03/29 CHKD: MYAGI 2005/03/29 APPR: ANODA 2005/03/30	GENERAL TOLERANCES (UNLESS SPECIFIED)		DIMENSION STYLE MM ONLY		SCALE ---	DESIGN UNITS METRIC	THIRD ANGLE PROJECTION	
	10 UNDER	±0.2	DRAWN BY NYOSHIDA		DATE 2004/12/17	TITLE 1.0 WIRE TO BOARD CONN. WAFER ASS'Y (2-ROW S/T) EMBTB PKG -LEAD FREE-		
	10 OVER 30 UNDER	±0.25	CHECKED BY MYAGI		DATE 2004/12/17	MOLEX INCORPORATED DOCUMENT NO. SD-501190-004 SHEET NO. 1 OF 2		
	30 OVER	±0.3	APPROVED BY ANODA		DATE 2004/12/17			
	ANGULAR ±3 °		MATERIAL NO.		DOCUMENT NO.		SHEET NO.	
DRAFT WHERE APPLICABLE MUST REMAIN WITHIN DIMENSIONS		SEE SHEET 2		SD-501190-004		1 OF 2		



無 NO	45.5	44±0.3	20.2	27.6	501190-5029	501190-5027	50
				22.6	501190-4029	501190-4027	40
	33.5	32±0.3	14.2	17.6	501190-3029	501190-3027	30
	25.5	24±0.3	11.5	12.6	501190-2029	501190-2027	20
有 YES	45.5	44±0.3	20.2	27.6	501190-5019	501190-5017	50
				22.6	501190-4019	501190-4017	40
	33.5	32±0.3	14.2	17.6	501190-3019	501190-3017	30
	25.5	24±0.3	11.5	12.6	501190-2019	501190-2017	20
吸着用カバーテープの有無 COVER TAPE	D	C	(B)	(A)	CONNECTOR	MATERIAL NO.	CKTS.

REVISED EC NO: J2005-2879 DRAWN: NYOSHI DA CHKD: MYAGI APPR: ANODA	2005/03/29	2005/03/29	2005/03/30	DESCRIPTION GENERAL TOLERANCES (UNLESS SPECIFIED)	DIMENSION STYLE MM ONLY	SCALE ---	DESIGN UNITS METRIC	THIRD ANGLE PROJECTION
	10 UNDER	±0.2	DRAWN BY NYOSHI DA		DATE 2004/12/17	TITLE 1.0 WIRE TO BOARD CONN. WAFER ASS'Y (2-ROW S/T) EMBTB PKG -LEAD FREE-		
	10 OVER 30 UNDER	±0.25	CHECKED BY MYAGI		DATE 2004/12/17	MOLEX INCORPORATED		
	30 OVER	±0.3	APPROVED BY ANODA		DATE 2004/12/17			
	ANGULAR	±3 °	MATERIAL NO.		DOCUMENT NO. SD-501190-004	SHEET NO. 2 OF 2		
DRAFT WHERE APPLICABLE MUST REMAIN WITHIN DIMENSIONS		SIZE A3	THIS DRAWING CONTAINS INFORMATION THAT IS PROPRIETARY TO MOLEX INCORPORATED AND SHOULD NOT BE USED WITHOUT WRITTEN PERMISSION					